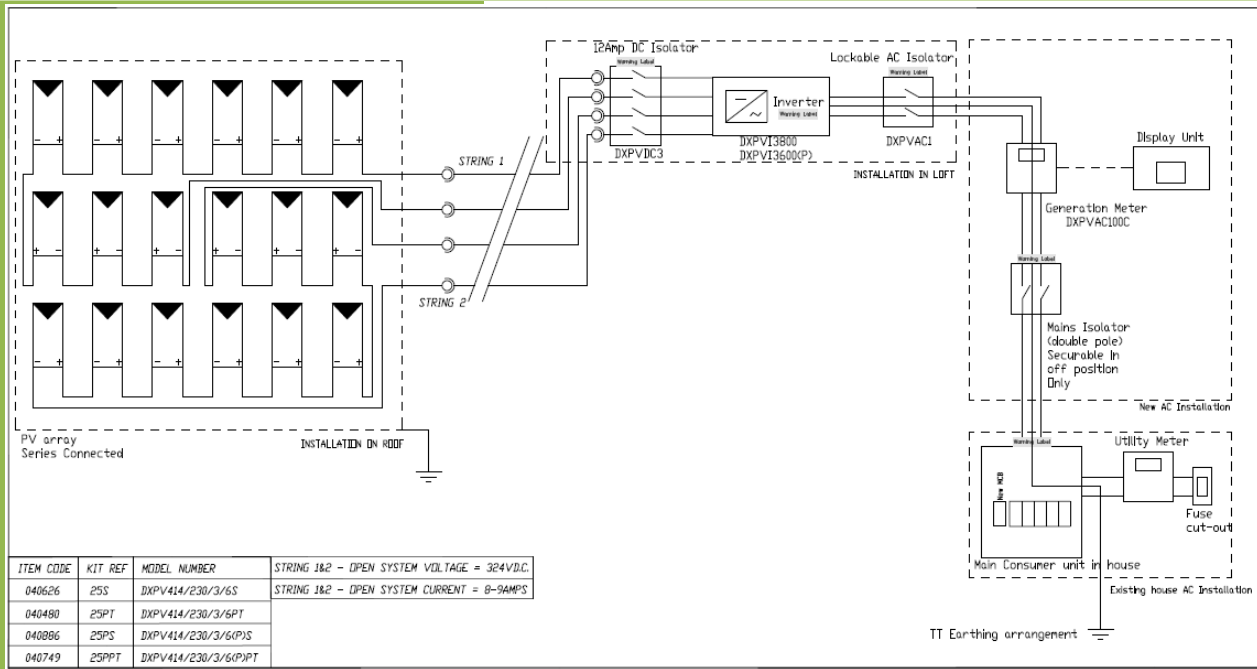


4.14kWp Photovoltaic Kit for domestic and light commercial electricity



Part Number	Model Number	Description	Quantity
038715	DXPVM230P6-30	230W Poly Solar PV Panel	18
038746	DXPVAC100C	Total generation meter	1
038777	DXPVAC1	32A 690V AC surface mounted isolator (lockable)	1
041272	DXPVC3	12A 500V 4 pole DC surface mounted isolator (lockable)	1
039767	DXPVRKHEXM820-10	Bag of 10 x Cylinder Head Screw with Hexagon Socket DIN 912 A2 M8x20	2
040299	DXPVRKHEXM820-25	Bag of 25 x Cylinder Head Screw with Hexagon Socket DIN 912 A2 M8x20	2
039774	DXPVRKHEXM850-10	Bag of 10 x Cylinder Head Screw with Hexagon Socket DIN 912 A2 M8x50	2
040305	DXPVRKHEXMB50-25	Bag of 25 x Cylinder Head Screw with Hexagon Socket DIN 912 A2 M8x50	1
041371	DXPVRKHEXM825-10	Bag of 10 x Cylinder Head Screw with Hexagon Socket DIN 912 A2 M8x25	2
041388	DXPVRKHEXM825-25	Bag of 25 x Cylinder Head Screw with Hexagon Socket DIN 912 A2 M8x25	2
041395	DXPVRKM8N1-10	Bag of 10 x Serated nut A2 DIN 6923	2
041401	DXPVRKM8N1-25	Bag of 25 x Serated nut A2 DIN 6923	2
039781	DXPVRKSBM81-10	Bag of 10 x Sliding Block 13x10mm, Pivotal, Aluminium, M8, 1=22mm	2
040312	DXPVRKSBM81-25	Bag of 25 x Sliding Block 13x10mm, Pivotal, Aluminium, M8, 1=22mm	1
039736	DXPVRKCT1	Bag of 25 x Cable Ties-UV-Resistant	4
039675	DXPVRKEC1	Bag of 4 x End Cap PP, 40x40mm	4
039699	DXPVRKMC1	Bag of 4 x MG-MK 01, Middle Clamp, blank	8
039750	DXPVRKXC1	Bag of 4 x Cross connector (74011001)	16
039682	DXPVRKCC1	Bag of 4 x Corner Clamp, blank 50mm	4
039668	DXPVRKMR3	Mounting Rail medium 40x40, L = 3.2M	12
039729	DXPVRKRHST1	Slate Roof Hook, stainless steel	60
039811	DXPVRKSB100-25	Bag of 25 x Seating Bolt 8x100mm galvanised	5
039743	DXPVRKRC1	Rail Connector Fixed	6
039019	DXPVI3600(P)	PVI-3.6-OUTD inverter	1
038784	DXPVC10/1	10 meter extension cable Male/Female MC3; 4mm2 (+) MC3 -- 10 meters 4mm2-- MC4 (-)	2
040220	DXPVC10/2	10 meter extension cable Male/Female MC3; 4mm2 (-) MC3 -- 10 meters 4mm2 -- MC4 (+)	2
040366	DXPVP052	Installation manual	1
040183	DXPVWLPK1	PV Array 19 label Pack	1

Polycrystalline PV Solar Packs

Specifications

Inverter	1 x PVI-3.6-OUTD
Roof Mount	Slate tile roof kit
Meter	1 x Elster A100
Cabling	10m Positive and 10m Negative Solar Cable
Isolators	1 x DC isolator 1 x AC isolator
Documentation	1 x Installation Manual

Product Performance

5 years: 95% of rated peak output

10 years: 90% of rated peak output

15 years: 85% of rated peak output

25 years: 80% of rated peak output

Requirements

Dimplex renewables PV Packs must be installed by Accredited PV Pack Installers

All Accredited PV Pack Installers are MCS-accredited for PV

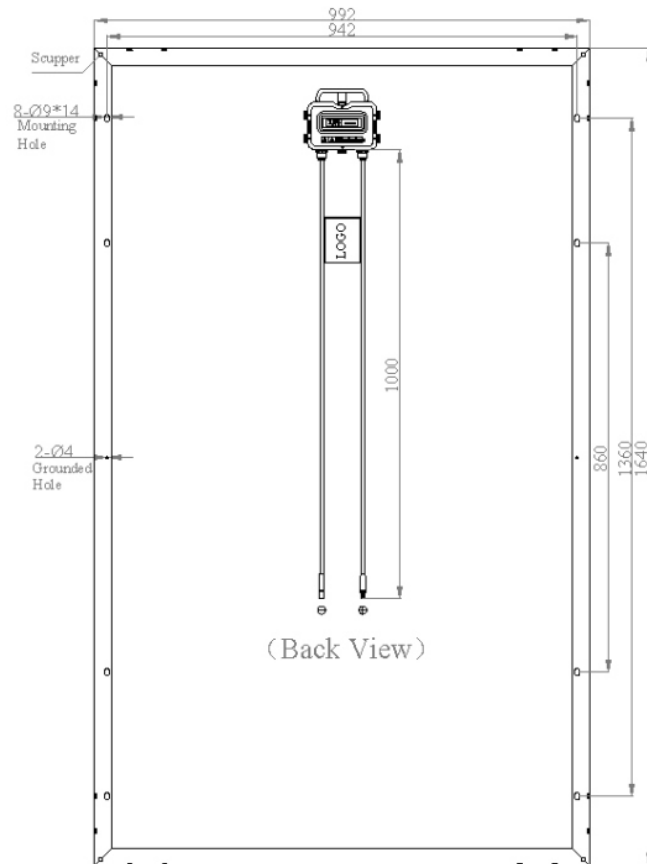
Certification

IEC61215

IEC61730

CE conformity

MCS



Electrical Performance

Electrical Performance of PV Module	DXPVM230P6-30
Open Circuit Voltage	36.65V
Short Circuit Current	8.59A
Peak Power in STC	230W
Point Voltage in Peak Power	29.00V
Point Current in Peak Power	7.99A
Efficiency of Module	14.2%
Cell Type	Polycrystalline
Cell Quantity	60 (6 x 10)
Module Size	1640mm x 992mm x 50mm
Weight	20.5Kg
Operation temperature	-40°C ~ 85°C
Temperature coefficient in Short Circuit Current	(0.055 ± 0.01)%/K
Temperature coefficient in Open Circuit Voltage	-(113 ± 10)MV%/K
Temperature coefficient in Peak Power	(0.47 ± 0.05)%/K
Output Power Tolerance	-0% + 3%
Max System voltage	1000V DC



MCS PV0017